



### PERFORMANCE RANGE

- Flow rate up to **160 l/min** (9.6 m<sup>3</sup>/h)
- Head up to **56 m**

### APPLICATION LIMITS

- Manometric suction lift up to **7 m**
- Liquid temperature between **-10 °C** and **+90 °C**
- Ambient temperature up to **+40 °C**
- Max. working pressure:
  - **6 bar** for CP 100-130-132-150-158
  - **10 bar** for CP 170-190-200
- Continuous service **S1**

### CONSTRUCTION AND SAFETY STANDARDS

EN 60335-1	EN 60034-1
IEC 60335-1	IEC 60034-1
CEI 61-150	CEI 2-3



REGULATION (EU) N. 547/2012

### CERTIFICATIONS

COMPANY WITH MANAGEMENT SYSTEM  
CERTIFIED BY DNV  
ISO 9001: QUALITY  
ISO 14001: ENVIRONMENT AND SAFETY



AN30



IPOMTECT-168

### INSTALLATION AND USE

Suitable for use with clean water and liquids that are not chemically aggressive towards the materials from which the pump is made. As a result of their reliability and the fact that they are easy to use, these pumps are widely used in domestic and civil applications such as the distribution of water in combination with small and medium sized pressure sets, for transferring liquids and for the irrigation of gardens and allotments. The pump should be installed in an enclosed environment, or at least sheltered from inclement weather.

### PATENTS - TRADE MARKS - MODELS

- Registered model <sup>®</sup>CPm158 n° 0001516350
- Registered Community Design n° 002098434

### OPTIONALS AVAILABLE ON REQUEST

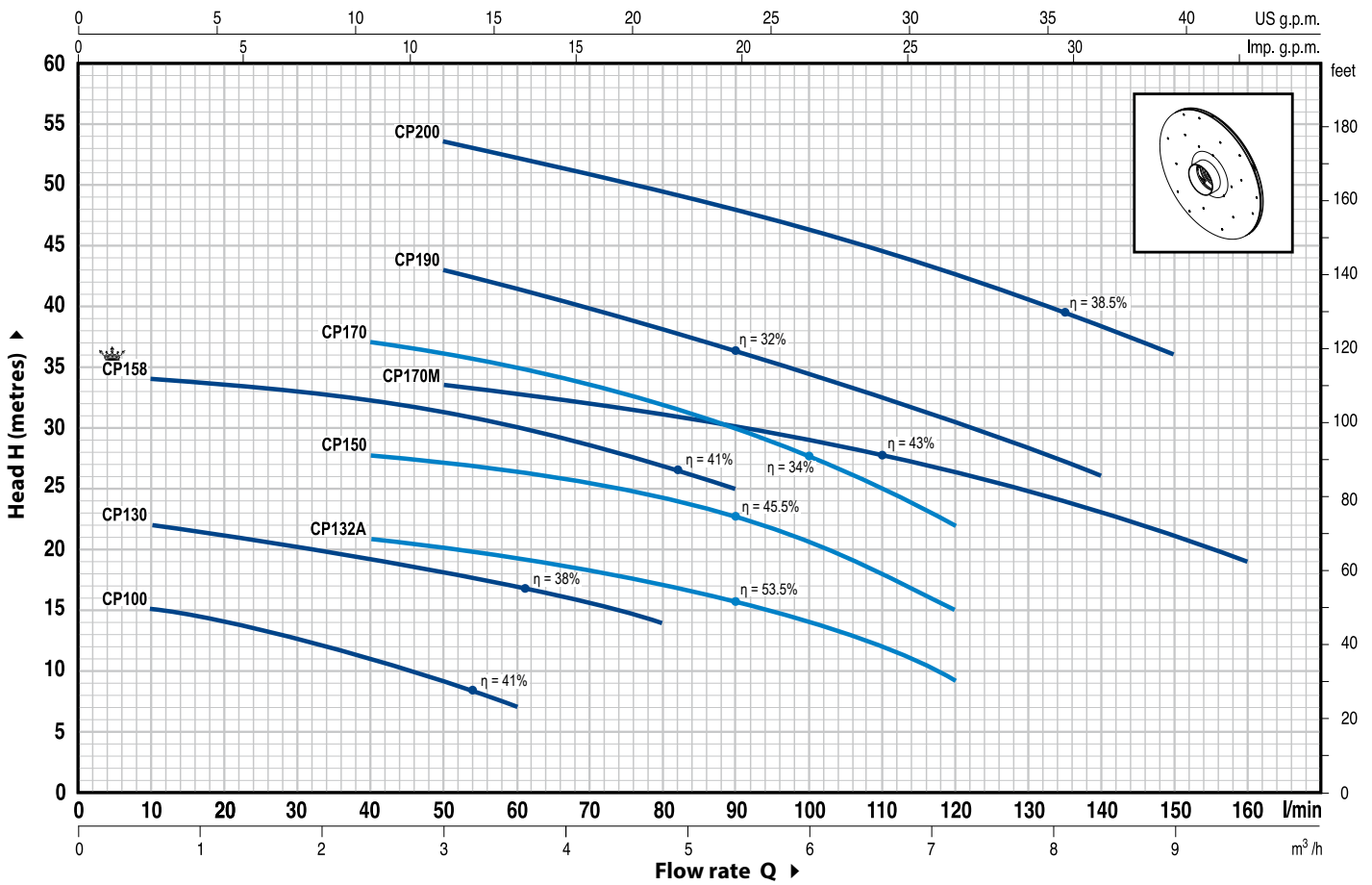
- Special mechanical seal
- Other voltages or 60 Hz frequency
- IP X5 class protection for CP 170, CP 170M

### GUARANTEE

2 years subject to terms and conditions

**CHARACTERISTIC CURVES AND PERFORMANCE DATA**

**50 Hz n= 2900 1/min HS= 0 m**

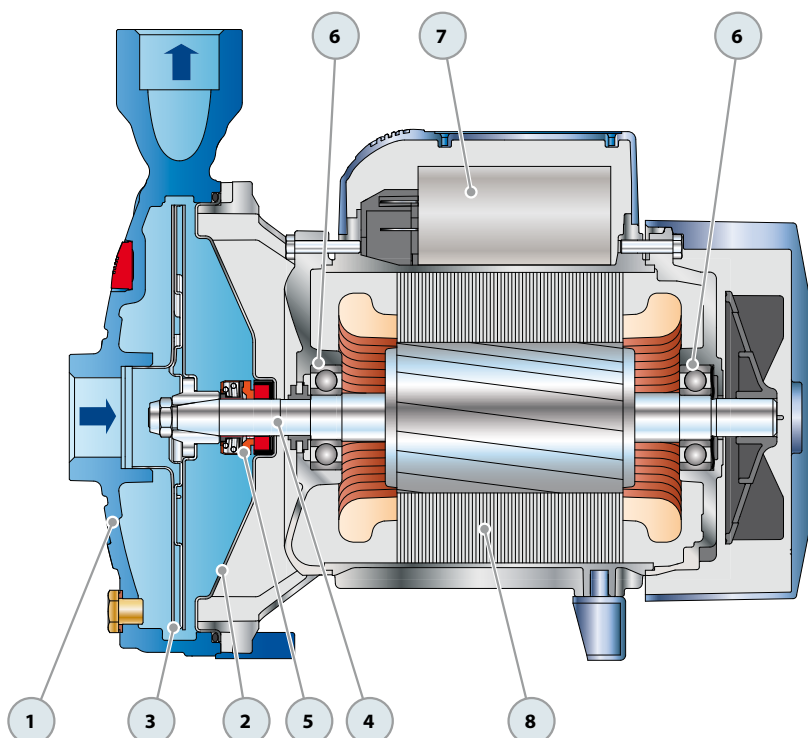


MODEL		POWER		Q	Flow rate																		
Single-phase	Three-phase	kW	HP		m³/h	0	0.6	1.2	1.8	2.4	3.0	3.6	4.2	4.8	5.4	6.0	6.6	7.2	7.8	8.4	9.0	9.6	
				l/min	0	10	20	30	40	50	60	70	80	90	100	110	120	130	140	150	160		
CPm 100	-	0.25	0.33	H metres	16	15	14	12.5	11	9	7												
CPm 130	CP 130	0.37	0.50		23	22	21	20	19	18	17	15.5	14										
CPm 132A	CP 132A	0.60	0.85		23	-	22	21.5	21	20	19	18	17	16	14	12	9						
CPm 150	CP 150	0.75	1		29.5	-	29	28.5	28	27.5	26.5	26	24.5	23	21	18	15						
CPm 158®	CP 158®	0.75	1		36	34	33.5	33	32.5	31.5	30	28.5	27	25									
CPm 170	CP 170	1.1	1.5		41	-	-	38	37	36	35	33.5	32	30	27.5	25	22						
CPm 170M	CP 170M	1.1	1.5		36	-	-	35	34.5	33.5	33	32	31	30	29	28	26.5	25	23	21	19		
CPm 190	CP 190	1.5	2		48	-	-	46	44.5	43	41.5	40	38	36	34.5	32.5	30.5	28	26				
-	CP 200	2.2	3		56	-	-	55	54.5	53.5	52	51	49.5	48	46	44.5	42.5	40.5	38.5	36			

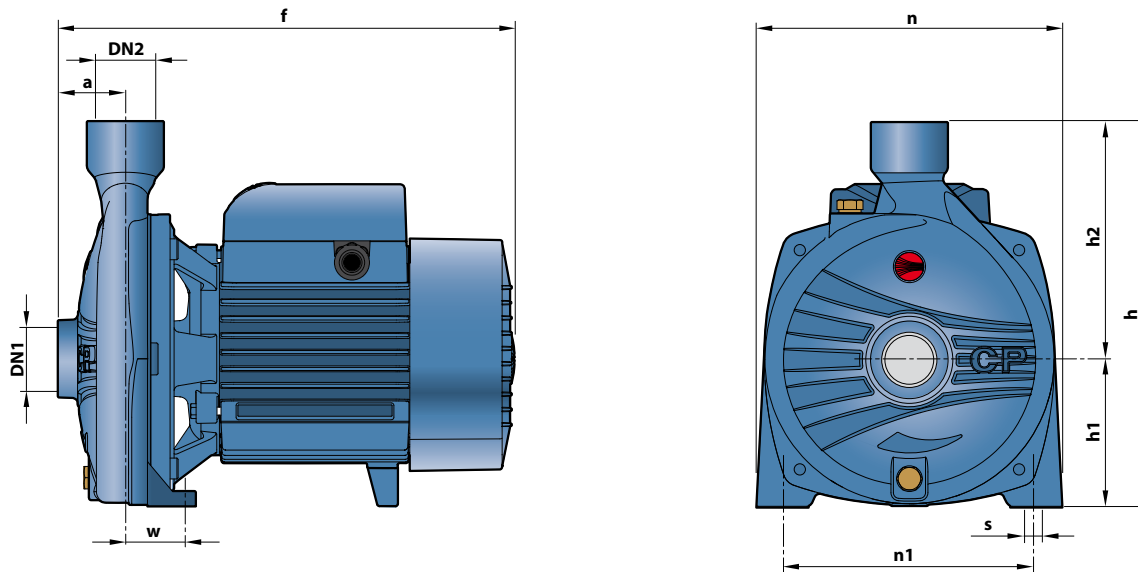
Q = Flow rate H = Total manometric head HS = Suction height

Tolerance of characteristic curves in compliance with EN ISO 9906 Grade 3.

POS.	COMPONENT	CONSTRUCTION CHARACTERISTICS					
1	<b>PUMP BODY</b>	Cast iron, complete with threaded ports in compliance with ISO 228/1					
2	<b>BODY BACKPLATE</b>	Stainless steel AISI 304 (cast iron for CP 170-170M-190-200)					
3	<b>IMPELLER</b>	Stainless steel AISI 304					
4	<b>MOTOR SHAFT</b>	Stainless steel EN 10088-3 - 1.4104					
5	<b>MECHANICAL SEAL</b>	<b>Pump</b>	<b>Seal</b>	<b>Shaft</b>	<b>Materials</b>		
		<i>Model</i>	<i>Model</i>	<i>Diameter</i>	<i>Stationary ring</i>	<i>Rotational ring</i>	<i>Elastomer</i>
		CP 100-130-132A	AR-12	Ø 12 mm	Ceramic	Graphite	NBR
		CP 150-158	AR-14	Ø 14 mm	Ceramic	Graphite	NBR
CP 170-170M-190-200	FN-18	Ø 18 mm	Graphite	Ceramic	NBR		
6	<b>BEARINGS</b>	<b>Pump</b>	<b>Model</b>				
		CP 100-130-132A	6201 ZZ / 6201 ZZ				
		CP 150-158	6203 ZZ / 6203 ZZ				
		CP 170-170M	6204 ZZ / 6204 ZZ				
		CP 190-200	6304 ZZ / 6204 ZZ				
7	<b>CAPACITOR</b>	<b>Pump</b>	<b>Capacitance</b>				
		<i>Single-phase</i>	<i>(230 V or 240 V)</i>	<i>(110 V)</i>			
		CPm 100	10 µF 450 VL	25 µF 250 VL			
		CPm 130	10 µF 450 VL	25 µF 250 VL			
		CPm 132A	14 µF 450 VL	25 µF 250 VL			
		CPm 150-158	20 µF 450 VL	60 µF 300 VL			
		CPm 170-170M	25 µF 450 VL	60 µF 250 VL			
		CPm 190	45 µF 450 VL	80 µF 250 VL			
8	<b>ELECTRIC MOTOR</b>	CPm: single-phase 230 V - 50 Hz with thermal overload protector built-in to the winding.					
		CP: three-phase 230/400 V - 50 Hz.					
		<p>➔ <b>Pumps fitted with the three-phase motor option offer IE2 (IEC 60034-30) class high performance</b></p> <ul style="list-style-type: none"> <li>- Insulation: F class.</li> <li>- Protection: IP X4.</li> </ul>					



## DIMENSIONS AND WEIGHT



MODEL		PORTS		DIMENSIONS mm									kg	
Single-phase	Three-phase	DN1	DN2	a	f	h	h1	h2	n	n1	w	s	1~	3~
CPm 100	-	1"	1"	42	253	205	82	123	165	135	41	10	6.9	-
CPm 130	CP 130				7.6	7.1								
CPm 132A	CP 132A			8.3	8.0									
CPm 150	CP 150			12.4	11.4									
CPm 158°	CP 158°			12.0	11.0									
CPm 170 - 170M	CP 170 - 170M	1 1/4"	1"	51	367	260	110	150	206	165	44.5	11	17.8	17.2
CPm 190	CP 190			48	364	290	115	175	242	206	36.5		21.3	20.3
-	CP 200			-	-	21.5								

## ABSORPTION

MODEL	VOLTAGE (single-phase)		
Single-phase	230 V	240 V	110 V
CPm 100	1.9 A	1.55 A	3.3 A
CPm 130	3.2 A	2.9 A	6.4 A
CPm 132A	3.5 A	3.2 A	7.0 A
CPm 150	5.7 A	5.4 A	11.4 A
CPm 158°	6.0 A	5.8 A	12.0 A
CPm 170 - 170M	7.8 A	7.2 A	16.0 A
CPm 190	11.0 A	10.0 A	22.0 A

MODEL	VOLTAGE (three-phase)			
Three-phase	230 V	400 V	240 V	415 V
CP 130	2.0 A	1.2 A	1.8 A	1.1 A
CP 132A	2.9 A	1.7 A	2.4 A	1.4 A
CP 150	4.2 A	2.4 A	4.1 A	2.4 A
CP 158°	4.4 A	2.5 A	4.3 A	2.5 A
CP 170 - 170M	5.2 A	3.0 A	5.1 A	2.9 A
CP 190	7.5 A	4.3 A	7.3 A	4.2 A
CP 200	9.3 A	5.4 A	9.0 A	5.2 A

## PALLETIZATION

MODEL		GROUPAGE			CONTAINER				
Single-phase	Three-phase	n° pumps	H (mm)	kg		n° pumps	H (mm)	kg	
				1~	3~			1~	3~
CPm 100	-	105	1280	741	-	189	2190	1321	-
CPm 130	CP 130	105	1280	820	770	189	2190	1460	1360
CPm 132A	CP 132A	105	1280	890	860	189	2190	1590	1530
CPm 150	CP 150	70	1450	890	820	112	2240	1410	1300
CPm 158°	CP 158°	70	1450	860	790	112	2240	1360	1250
CPm 170	CP 170	50	1560	900	870	70	2120	1250	1200
CPm 170M	CP 170M	50	1560	940	910	70	2120	1310	1260
CPm 190	CP 190	36	1410	784	754	54	2040	1166	1116
-	CP 200	36	1410	-	794	54	2040	-	1186

